

**SPECIAL  
CYLINDERS  
PTR SERIES**

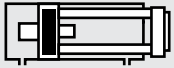




## PTR SERIES

Ø32 - Ø100

### TWIN RODS CYLINDERS



**PTR-M:** DOUBLE ACTING CYLINDER  
WITH CUSHIONING AND MAGNETIC

### Example of order:

PTR-M

Product Code

050-0100

Cylinder Ø  
Stroke

### Force:

Cylinder Ø mm	Rod Ø mm	Thrust and traction forces (6 Bar)	
		Thrust Force (N)	Traction Force (N)
32	8	482	422
40	10	754	660
50	12	1178	1042
63	16	1870	1628
80	20	3016	2638
100	20	4712	4333

### Working Fluid :

Filtered and lubricated or filtered and not lubricated air

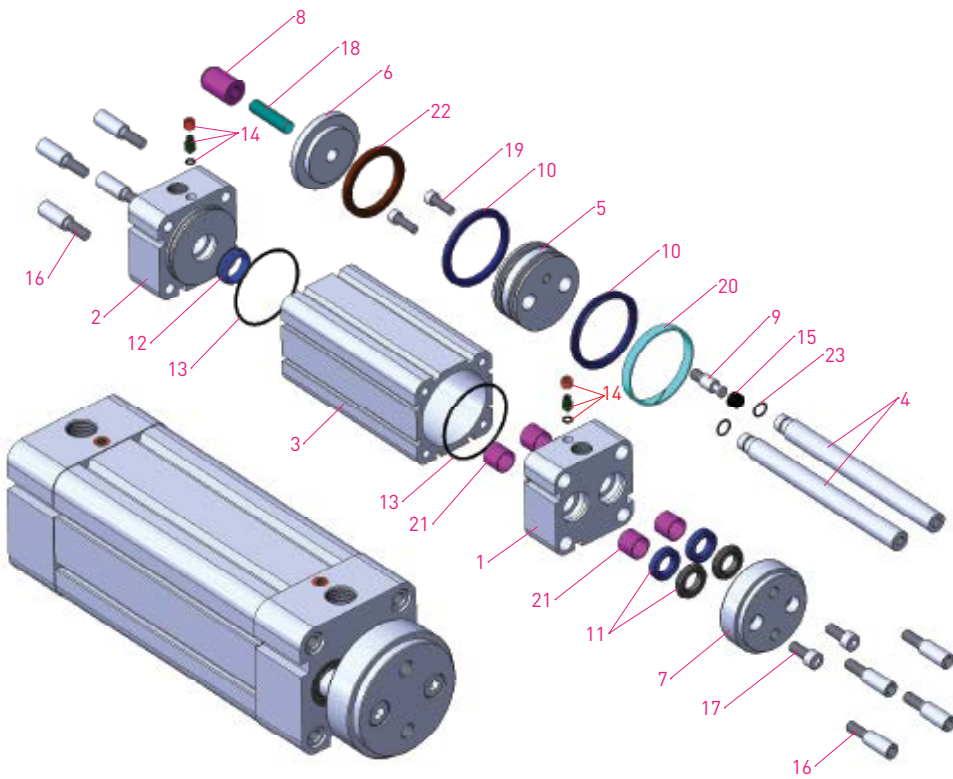
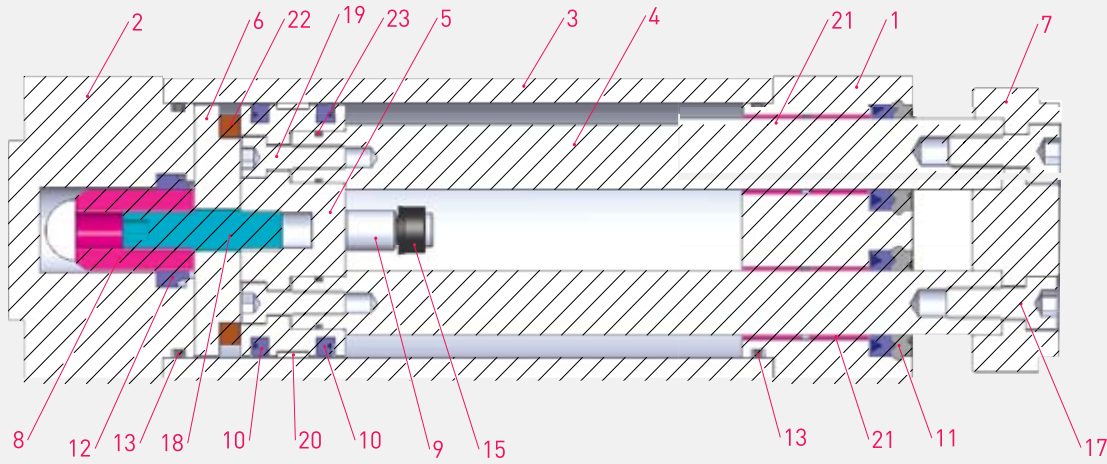
### Operating Temperature Range:

Polyurethane (PU) : (-20°C) - (+80°C)

Viton (FKM) : (-30°C) - (+150°C)

### Max. Work Pressure:

10 Bar

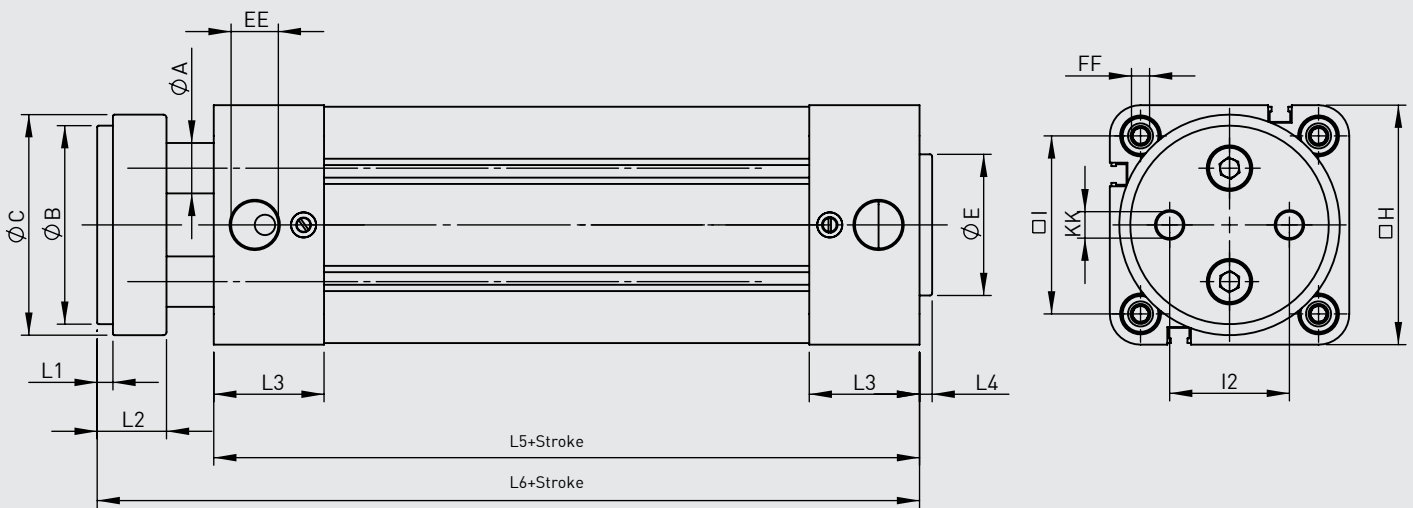


No	MATERIAL NAME	CHARACTERISTIC	PC.
1	Front Head	Aluminium + Eloxal Plated	1
2	Rear Head	Aluminium + Eloxal Plated	1
3	Tube	Al. Mg Si 0,5 + Eloxal Plated	1
4	Piston Rod	X20Cr13 Hard Chrome Plated	2
5	Middle Piston	6082 Aluminium	1
6	Magnet Guiding	6082 Aluminium	1
7	Rod and Guiding	Steel + Zinc Plated	1
8	Cushioning Thread	Brass	1
9	Cushioning Pin	Steel + Zinc Plated	1
10	Piston Seal	PU	2
11	Rod Seal	PU	2
12	Cushioning Seal	PU	1

No	MATERIAL NAME	CHARACTERISTIC	PC.
13	Head O-Ring	NBR 70	2
14	Yastıklama vidası	6082 AL.+Eloxal+AISI 303 NBR 70	2
15	Cushioning Pin Seal	NBR 75	1
16	Head Bolt	Zinc Plated Steel	8
17	Rod and Guiding Bolt		2
18	Screw		1
19	Middle Piston Bolt		2
20	Guiding Band		1
21	Guiding Bush	CSB-40	4
22	Magnet		1
23	Rod O-Ring	NBR 70	2

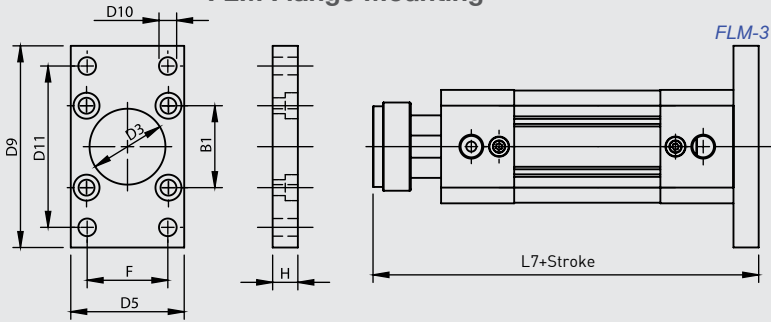


**PTR**  
Ø32 - Ø100

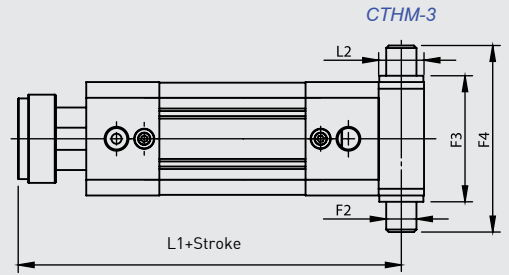


Cylinder Ø mm	ØA	ØB	ØC	L1	L2	L3	L4	L5	L6	I	I2	EE	FF	KK	H	ØE
32	8	32	35	4	15	29	4	100	127	32,5	19	1/8	M6	M6	45	30
40	10	40	45	4	16	33	4	114	143	38	23	1/4	M6	M8	54	35
50	12	50	55	5	18	34	4	116	150	46,5	30	1/4	M8	M8	65	40
63	16	63	70	5	22	35	4	124	161	56,5	38	3/8	M8	M10	76	45
80	20	80	95	6	24	35	4	134	174	72	50	3/8	M10	M12	94	45
100	20	100	115	6	24	37	4	140	180	89	70	3/8	M10	M12	112	55

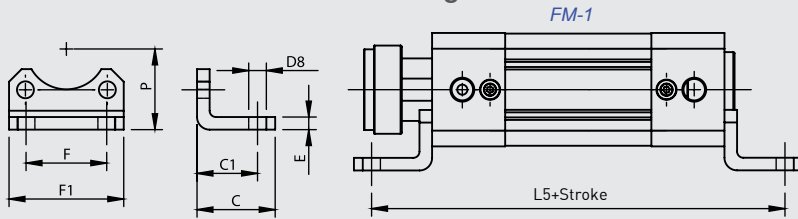
**FLM Flange Mounting**



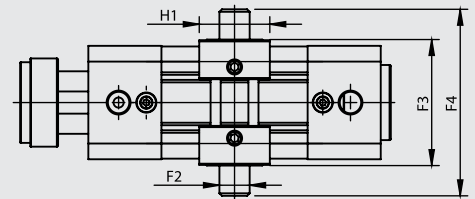
**CTHM Central Trunnion Head Mounting**



**FM Foot Mounting**

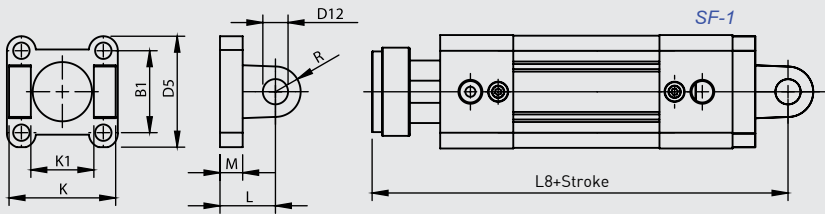


**CTM-3 Central Trunnion Mounting**

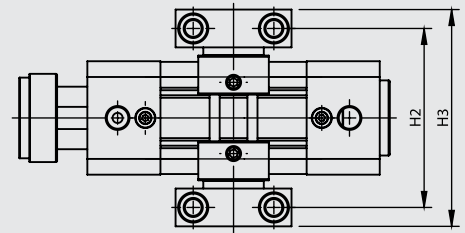


CTM-3 : Adjustable Connection

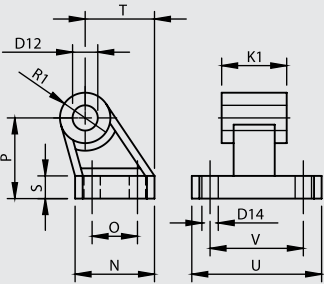
**SF Swivel Flange**



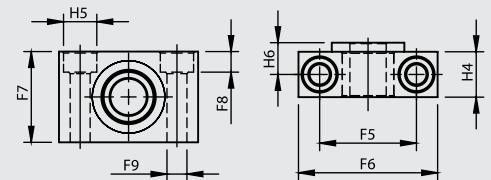
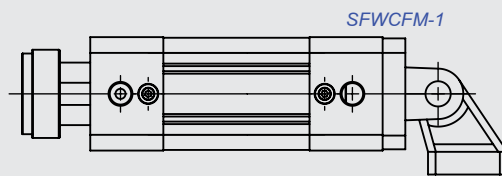
**TSM Trunnion Support Mounting**



**CFM Clevis Foot Mounting**



**SFWCFM Swivel Flange with Clevis Foot Mounting**



Cylinder Ø mm	B1	C	C1	D3 Ø H11	D5	D8 Ø H14	D9	D10 Ø H13	D11 JS14	D12 Ø H9	D14 Ø H13	E	F JS14	F1	F2 Ø e9	F3 h14	F4	F5 ±0,2	F6	F7	F8	F9 Ø H13
32	32.5	30	24	30	45	7	80	7	64	10	6.6	5	32	45.5	12	50	74	32	46	30	6.8	6.6
40	38	37	28	35	54	10	90	9	72	12	6.6	5	36	54.5	16	63	95	36	55	36	9	9
50	46.5	41	32	40	65	10	110	9	90	12	9	6	45	65	16	75	107	36	55	36	9	9
63	56.5	44	32	45	76	10	120	9	100	16	9	6	50	76	20	90	130	42	65	40	11	11
80	72	56	41	45	94	12	150	12	126	16	11	6	63	94	20	110	150	42	65	40	11	11
100	89	58	41	55	112	14	175	14	150	20	11	6	75	112	25	132	182	50	75	50	13	14

Cylinder Ø mm	H	H1 -0,2	H2	H3	H4	H5 Ø H13	H6	K h14	K1 H14	L	L1	L2	L5	L7	L8	M	N JS14	O JS16	P	R	R1	S	T	U	V JS14
32	10	28	71	86	15	11	10.5	45	26	22	136	18	148	137	149	9	31	18	32	10	10	8	27.5	51	38
40	10	28	87	105	18	15	12	52	28	25	153	20	170	153	168	9	35	22	36	12	11	10	30.5	54	41
50	12	34	99	117	18	15	12	60	32	27	164	28	180	162	177	11	45	30	45	13	13	12	40.5	65	50
63	12	34	116	136	20	18	13	70	40	32	174.5	27	188	173	193	11	50	35	50	16	15	12	44.5	67	52
80	16	34	136	156	20	18	13	90	50	36	191	34	216	190	210	14	60	40	63	16	15	14	57	86	66
100	16	44	164	189	24.5	20	16	110	60	41	199.3	38.5	222	196	221	14	70	50	71	20	19	15	65	96	76